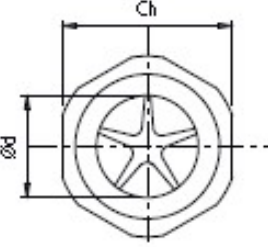
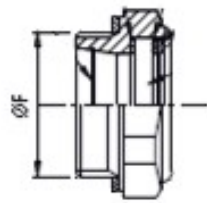


## LISTINO – PRICE LIST (012014)

### ACCESSORI PER SERBATOIO ARIA / OLIO PARTS FOR AIR / OIL TANK

#### SPIE DI LIVELLO – LEVEL INDICATORS



SPECIFICHE TECNICHE – TECHNICAL SPECS	CODICI – CODES	€/CD + IVA
<div style="display: flex; justify-content: space-around;"> <div data-bbox="199 1064 470 1310">  </div> <div data-bbox="614 1086 821 1288">  </div> </div> <ul style="list-style-type: none"> <li>• P max = 20 bar</li> <li>• CORPO ALLUMINIO</li> <li>• VISORE VETRO</li> <li>• GUARNIZIONI VITON</li> <li>• T max 130°C</li> <li>• ALUMINIUM BODY</li> <li>• GLASS SIGHT</li> <li>• VITON GARKETS</li> </ul>	<p style="text-align: center;"><b>SP12</b> ØF 1/2" G – Ch 27 (mm)</p> <p style="text-align: center;"><b>SP34</b> ØF 3/4" G – Ch 32 (mm)</p> <p style="text-align: center;"><b>SP10</b> ØF 1" G – Ch 40 (mm)</p>	<p style="text-align: center;"><b>18,50</b></p> <p style="text-align: center;"><b>22,50</b></p> <p style="text-align: center;"><b>36,20</b></p>

Non usare per applicazioni nel VUOTO  
Do not use onto VACUUM applications